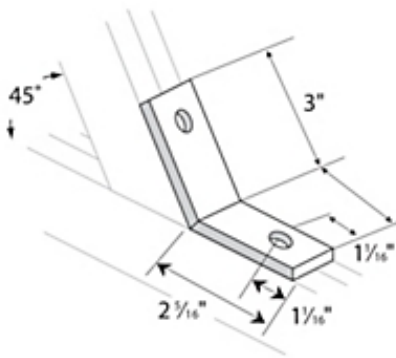




Actual



Line Art

Catalog Number: AB227
Product ID: 7TAA005110R0034
UPC Number: 61601326791
EAN Number: 05415022443820
Status: A

Fitting, Two Hole Open Angle, Upper Length 3 Inches, Base Length 2-5/16 Inches, Hole Diameter 1 Inch, Angle 135 Degrees, Steel

- Excellent corrosion resistance

North American Specifications (UNSPSC)

UNSPSC	31162502 Angle brackets
IGCC	3010 Angle brackets
Type	Angular Fittings
Special Features	Excellent corrosion resistance
Application	For use in metal framing applications
Material	Steel
Length	3 in
Finish	GoldGalv/Standard
Number Of Holes	2

European Specifications (ETIM)

ETIM	EC000483 Coupler for support/profile rail
Suitable for	U-profile
Model	Angle
With screw accessories	N
Material	Steel

Packaging

Outer Quantity	50
Outer Dimensions (inches)	10.25x8.25x5.25
Weight Uom	50 lbs. per 100

Documents / Support Tools

Technical Drawing / Data Sheet US	Available on Website
-----------------------------------	----------------------

For further technical assistance, please contact us...

ABB Installation Products - USA
 860 Ridge Lake Blvd.
 Memphis, TN 38120
 www.tnb.com

ABB Installation Products Technical Support
 MS 3B-50
 860 Ridge Lake Blvd.
 Memphis, TN 38120

Hours: 7AM - 6PM CDT
 Monday-Friday
 Phone: (888) 862-3289
 Fax: (901) 252-1321
 Email:techsupport@tnb.com